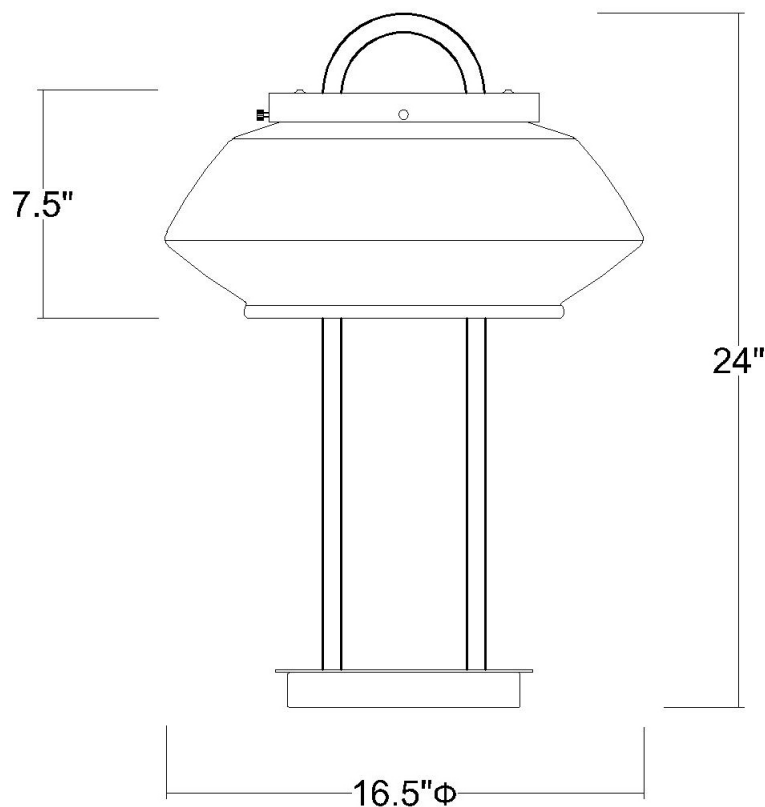


# TT80062ORB GARNER 2-LIGHT TABLE LAMP



**Description:** Garner 2-Light Table Lamp

**Finish:** Oil Rubbed Bronze

**Dimensions:** 16-1/2" Dia. x 24" H

**Bulbs:** 2-60W Med.

**Installed Weight:** 12.4 lbs.

**Certification:** cUL

**Material:** Steel and glass

**Shade:** Glass

**Shade Dimensions:** NA

**Glass:** Clear

**Cord:** 6' brown plug-in

**Switch:** 3-way inline